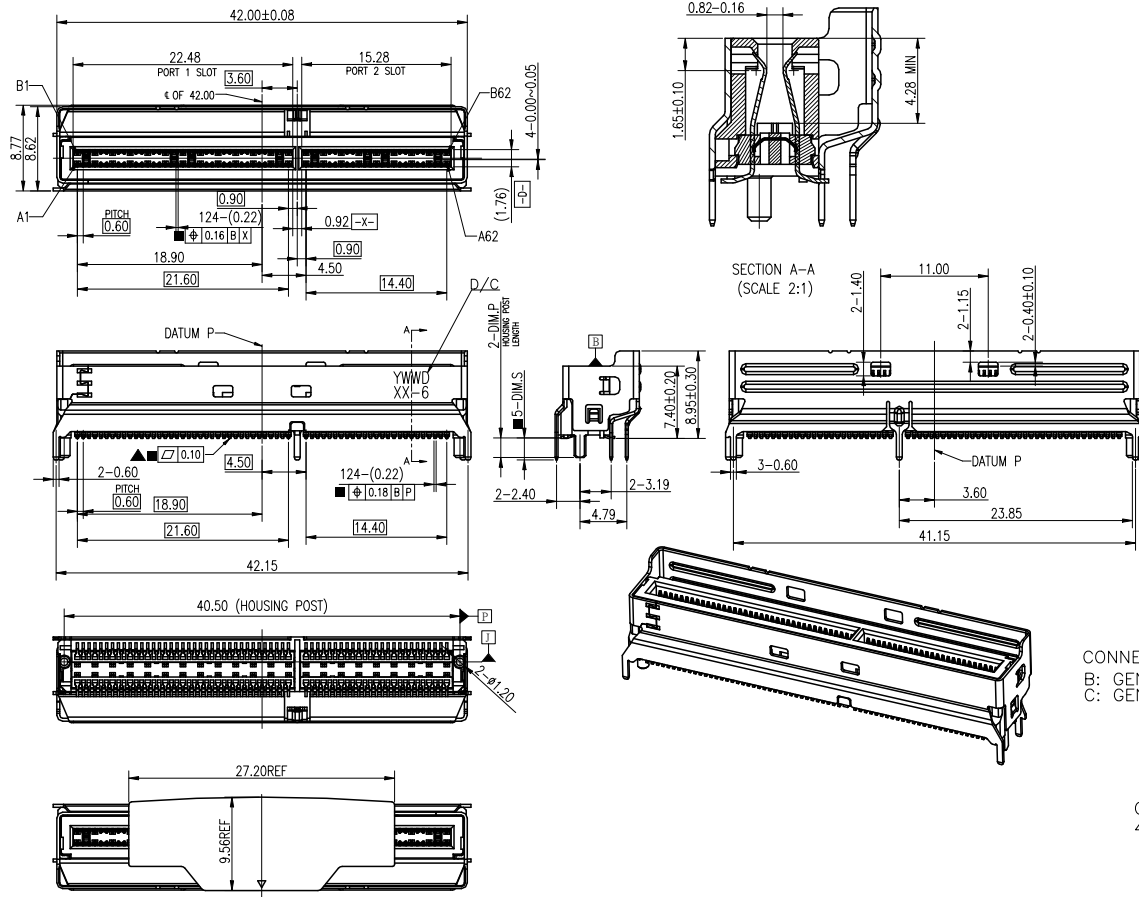


1	2	3	4	5	6	7	8				
THIS DRAWING AND THE DATA DISCLOSED HEREIN OR HEREWITH IS NOT TO BE REPRODUCED USED OR DISCLOSED IN WHOLE OR IN PART TO ANYONE WITHOUT THE PERMISSION OF JPC connectivity Inc.(JPC)				CUSTOMER DRAWING DRWC-011919		REV.	ECN NO.	DESCRIPTION	MDF'D	APP'D	DATE
						01		INITIAL DESIGN	Sam	Ray	08/07/2025
						A1		APPROVED DESIGN	Sam	Ray	10/31/2025
						A2		APPROVED DESIGN: MODIFY PART NUMBER CODING RULE	Sam	Ray	11/17/2025

A  
B  
C  
D  
E  
F

A  
B  
C  
D  
E  
F



A2

- NOTES:
- MATERIALS:  
HOUSING: HIGH TEMPERATURE THERMOPLASTIC, UL 94-V0, COLOR: BLACK  
TERMINAL: COPPER ALLOY  
SHELL: STAINLESS STEEL
  - FINISH  
TERMINAL:  
CONTACT AREA: GOLD PLATING  
SOLDER AREA: GOLD FLASH  
UNDER PLATING: NICKEL PLATED 50U" MIN. OVER ALL  
SHELL:  
NICKEL PLATED 50U" MIN. OVERALL
  - DATE CODE LOCATION SHOWN, DATE CODE FORMAT: YWW  
Y: LAST ONE DIGIT OF THE YEAR  
WW: ONE CERTAIN WEEK OF THE YEAR  
D: ONE DAY OF THE WEEK  
DISTINGUISH BETWEEN THE CODES FOR HIGH SPEED AND THOSE WITH SIDE BAND:XX-6  
SB:WITH SIDE BAND  
HS:FULL HIGH SPEED  
6: GEN 6
  - INSERTION LOSS: -0.25dB@16GHz
  - TERMINAL DEFINED AS GND IN SFF-TA-1016 IS COMMON TOGETHER.
  - CONNECTOR IMPEDANCE REFERENCE: 85Ω
  - REFER TO SPECIFICATION SFF-TA-1016 FOR THE PINOUT OF THE CONNECTOR.

MCIO SERIES: P948 X XXX X 6 X 2 - 0

CONNECTOR PIN TYPE:  
B: GEN6; FULL HS  
C: GEN6; WITH SB

PIN COUNT:  
074:74 PIN  
124:124 PIN

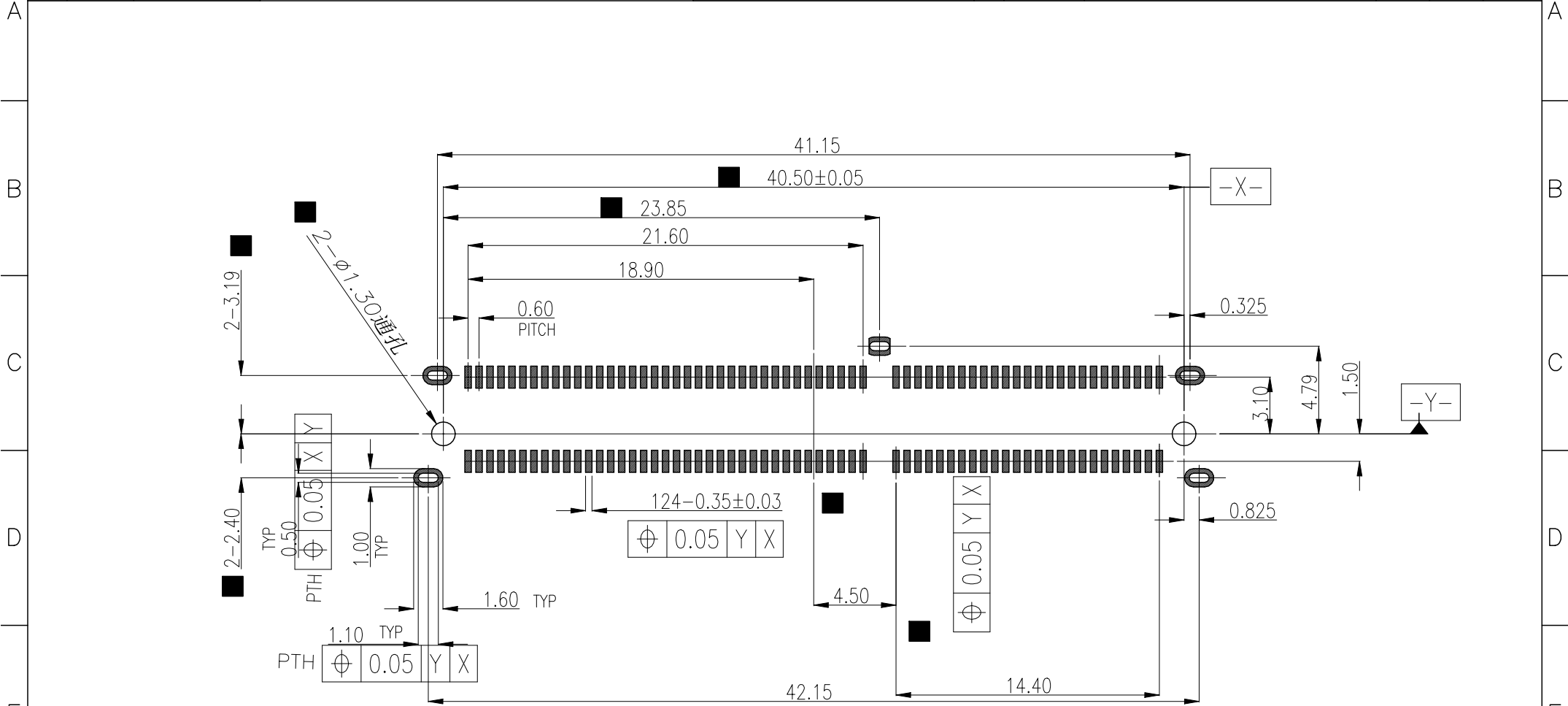
CONNECTOR STYLE:  
4:VERTICAL TYPE

PACKAGE CODE:  
2:TAPE & REEL  
SHELL PIN LENGTH; POST PIN LENGTH  
1:DIM.S=1.20mm; DIM.P=1.20mm  
2:DIM.S=2.20mm; DIM.P=2.00mm  
3:DIM.S=3.00mm; DIM.P=2.00mm

CONTACT FINISH:  
6:Au 30μ"; SOLDER TAIL: GOLD PLATED

RoHS COMPLIANT	HALOGEN FREE	Unit:mm(inch)	PROJECTION	JPC connectivity			
		GENERAL TOLERANCES: (UNLESS SPECIFIED)	D.R. 08/07/2025				
		0 =±1 (0.039)	0.0 =±0.125 (0.005)	TITLE	PD./FILE NO.		
		0.00 =±0.0127 (0.0005)	0.000 =±0.00254 (0.0001)	MCI0 Gen6 16X 124 Pin Vertical Connector	XXXXXXXXXX		
0° =± 2'	0.0° =± 1'	CH.K 08/07/2025	Jason_Liu	SCALE	SIZE	PART NO.	REV.
		APV,D 08/07/2025	Ray	NA	A4	P948X12446X2-0	A2
							SHEET 1 OF 3

1	2	3	4	5	6	7	8				
THIS DRAWING AND THE DATA DISCLOSED HEREIN OR HERewith IS NOT TO BE REPRODUCED USED OR DISCLOSED IN WHOLE OR IN PART TO ANYONE WITHOUT THE PERMISSION OF JPC connectivity Inc.(JPC)				CUSTOMER DRAWING DRWC-011919		REV.	ECN NO.	DESCRIPTION	MDF'D	APP'D	DATE
						01		INITIAL DESIGN	Sam	Ray	08/07/2025
						A1		APPROVED DESIGN	Sam	Ray	10/31/2025
						A2		APPROVED DESIGN: MODIFY PART NUMBER CODING RULE	Sam	Ray	11/17/2025



RECOMMENDED PCB LAYOUT

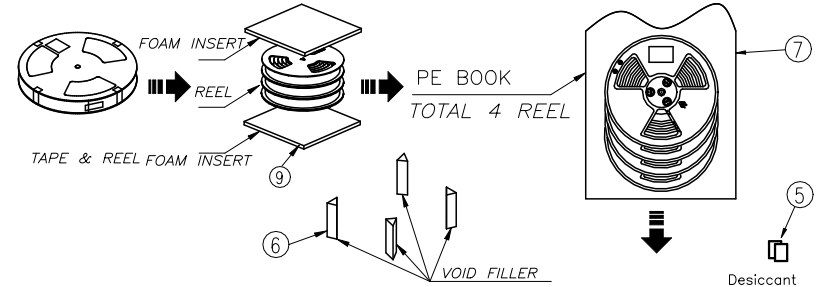
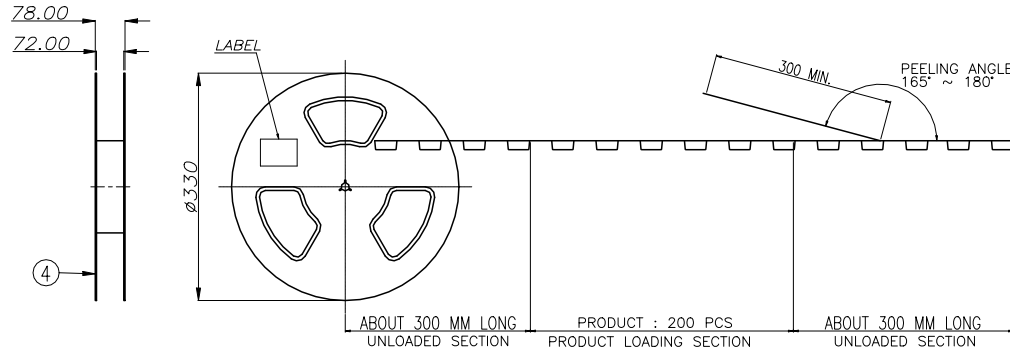
GENERAL TOLERANCE: ±0.05

RoHS COMPLIANT HALOGEN FREE	Unit:mm(inch)	PROJECTION ⊕	<b>JPC connectivity</b>	
	GENERAL TOLERANCES: (UNLESS SPECIFIED)	D.R. 08/07/2025	TITLE	PD./FILE NO. XXXXXXXXXX
	0 = ±1 (0.039)	Sam	MCIO Gen6 16X 124 Pin Vertical Connector	X-XXXX
	0.0 = ±.5(0.020)	CH.K 08/07/2025	SCALE	SIZE
0.000 = ±.3(0.012)	Jason_Liu	NA	A4	PART NO.
0.000 = ±.15(0.006)	APV.D 08/07/2025	Ray		P948X12446X2-0
0° = ± 2'				REV. A2
0.0° = ± 1'				SHEET 2 OF 3

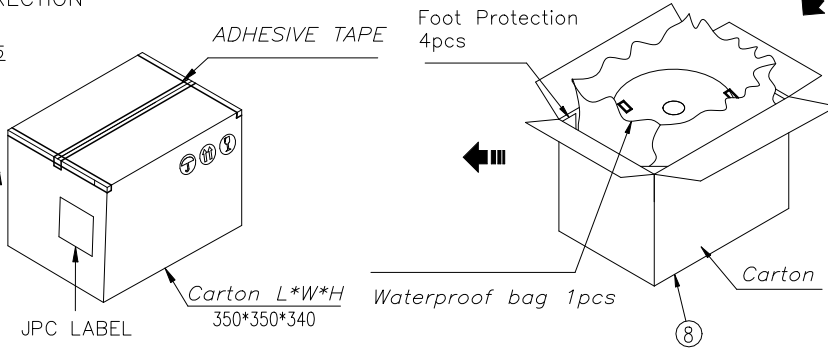
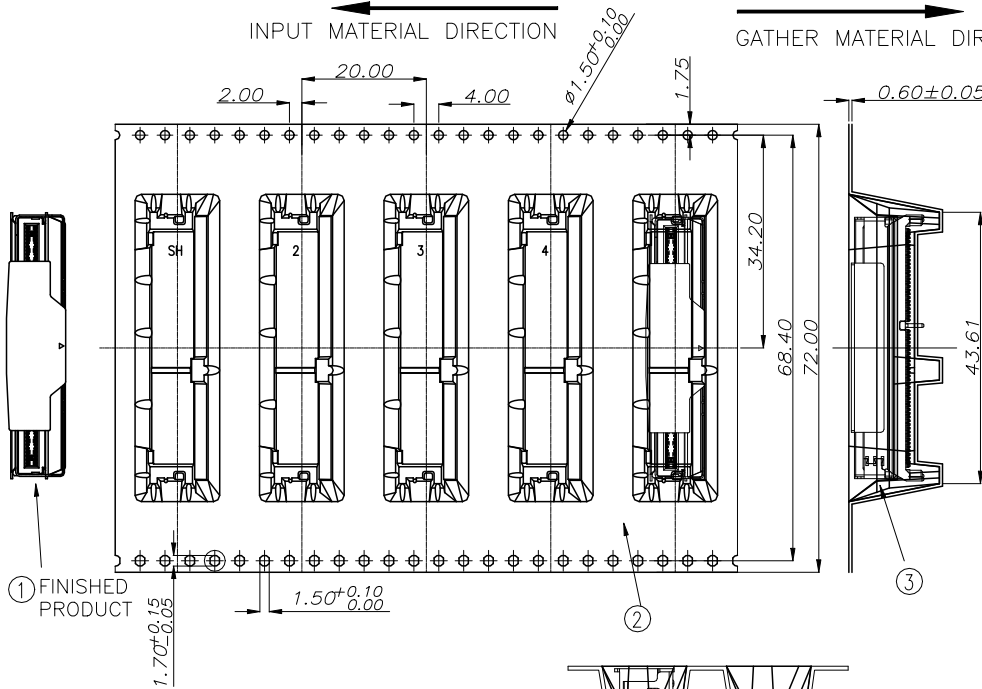
THIS DRAWING AND THE DATA DISCLOSED HEREIN OR HEREWITH IS NOT TO BE REPRODUCED USED OR DISCLOSED IN WHOLE OR IN PART TO ANYONE WITHOUT THE PERMISSION OF JPC connectivity Inc.(JPC)

CUSTOMER DRAWING  
DRWC-011919

REV.	ECN NO.	DESCRIPTION	MDF'D	APP'D	DATE
01		INITIAL DESIGN	Sam	Ray	08/07/2025
A1		APPROVED DESIGN	Sam	Ray	10/31/2025
A2		APPROVED DESIGN: MODIFY PART NUMBER CODING RULE	Sam	Ray	11/17/2025



INPUT MATERIAL DIRECTION      GATHER MATERIAL DIRECTION



- NOTES:  
 1. 200 PCS PRODUCT/REEL  
 2. 4 REELS/CARTON  
 3. 800 PCS PRODUCT/CARTON

<b>RoHS COMPLIANT</b>	<b>HALOGEN FREE</b>	Unit:mm(inch)	PROJECTION	<b>JPC connectivity</b>	
		GENERAL TOLERANCES: (UNLESS SPECIFIED)	D.R. 08/07/2025		
		0 = ±1 (0.039)	Sam	MCIO Gen6 16X 124 Pin Vertical Connector	PD./FILE NO. XXXXXXXXX
		0.0 = ±5 (0.020)	CH.K 08/07/2025	X-XXXX	REV. A2
0.000 = ±3 (0.012)	Jason_Liu	SCALE NA	SIZE A4	PART NO. P948X12446X2-0	SHEET 3 OF 3
0.000 = ±15 (0.006)	APV.D 08/07/2025	Ray			